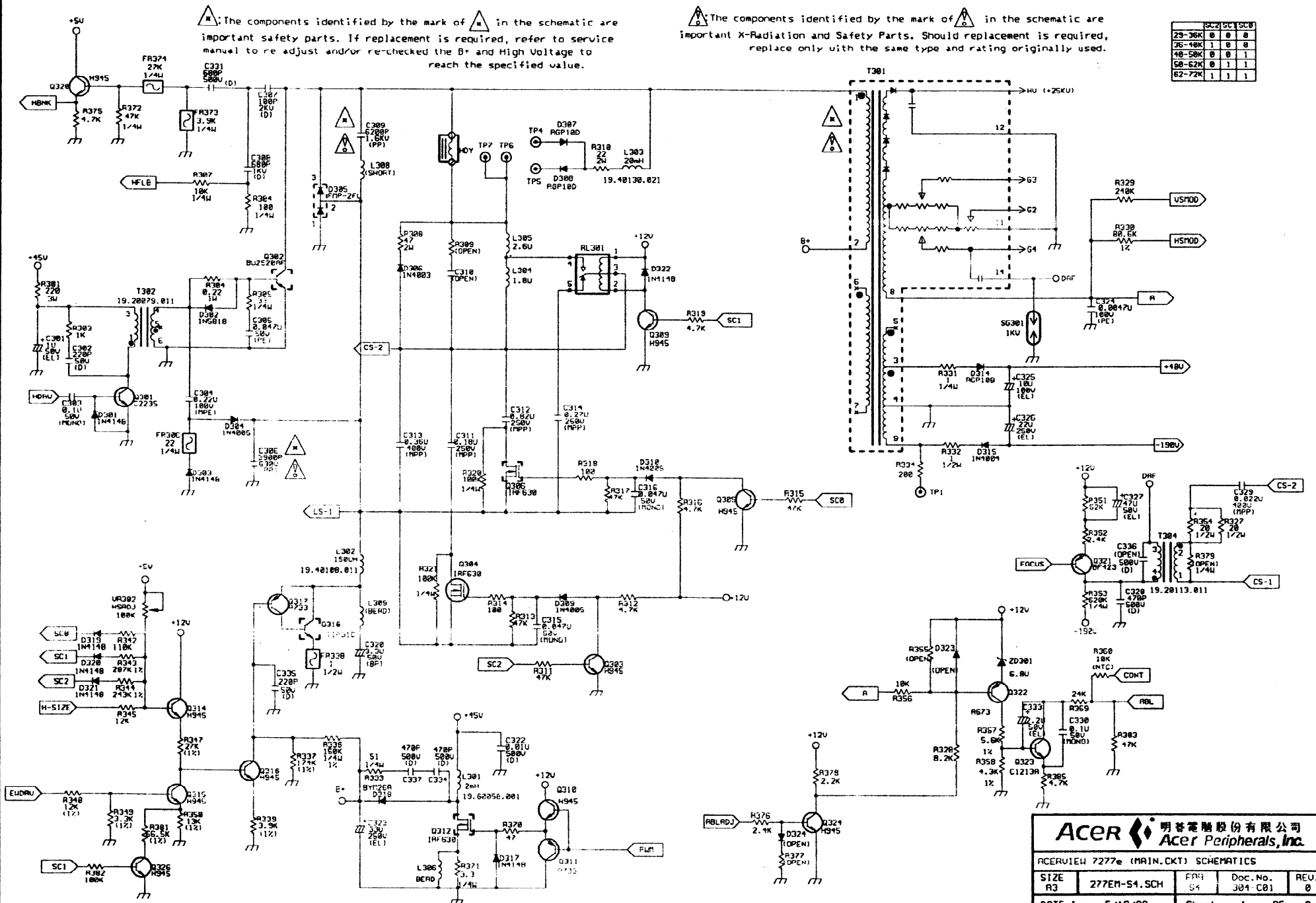


⚠: The components identified by the mark of ⚠ in the schematic are important safety parts. If replacement is required, refer to service manual to re adjust and/or rechecked the B+ and High Voltage to reach the specified value.

⚠: The components identified by the mark of ⚠ in the schematic are important X-Radiation and Safety Parts. Should replacement is required, replace only with the same type and rating originally used.

	SC2	SC1	SC0
29-36K	0	0	0
36-48K	1	0	0
48-58K	0	0	1
58-62K	0	1	1
62-72K	1	1	1

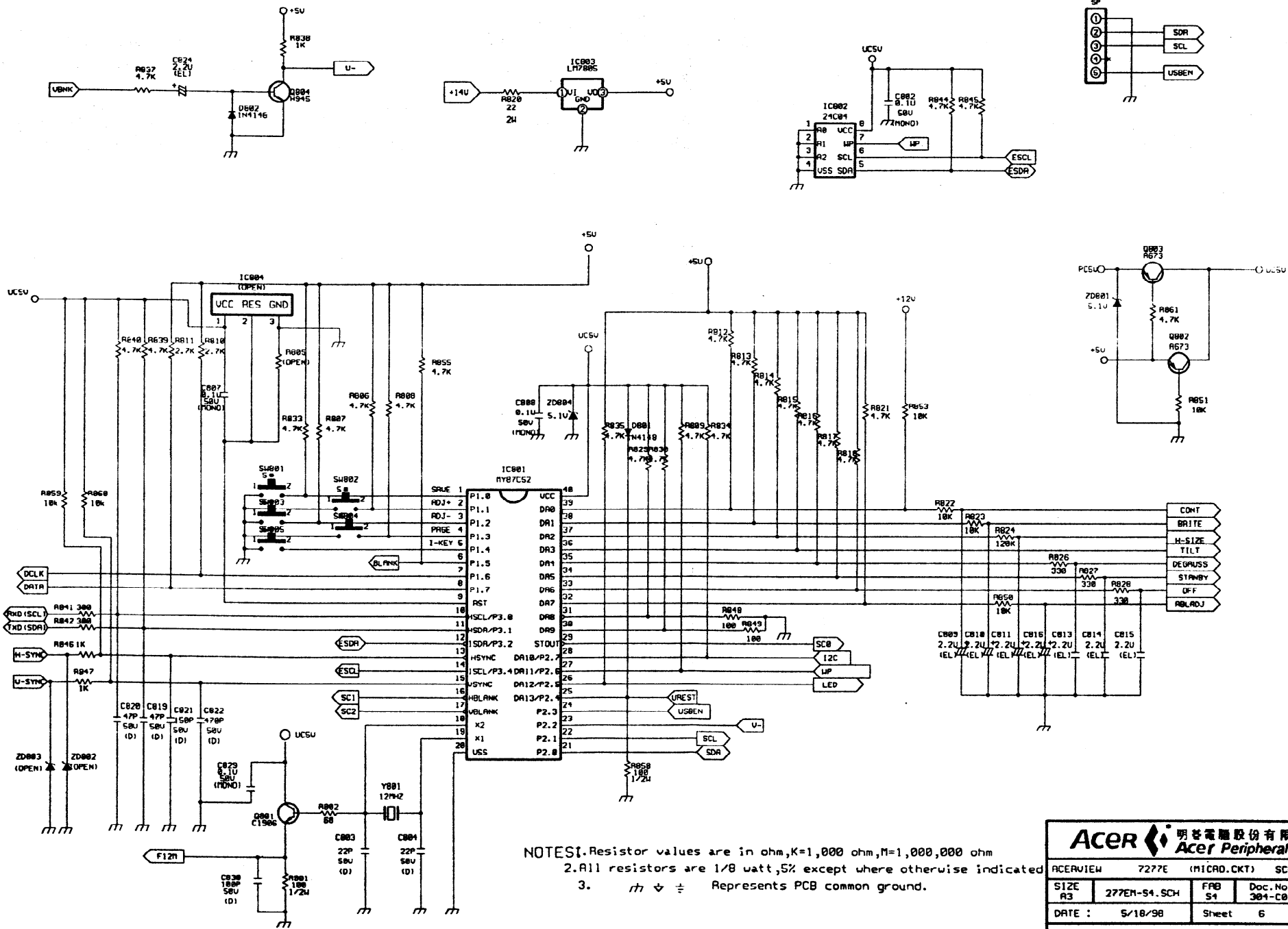


NOTES: 1. Resistor values are in ohm, K=1,000 ohm, M=1,000,000 ohm
 2. All resistors are 1/8 watt, 5% except where otherwise indicated
 3. ⚡ Represents PCB common ground.

ACER 明基電腦股份有限公司
Acer Peripherals, Inc.

ACERVIEW 727E (MAIN.CKT) SCHEMATICS

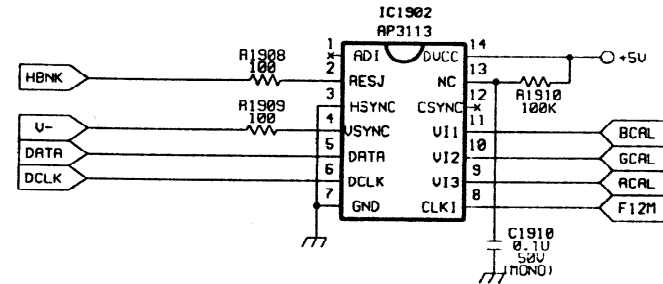
SIZE R3	277EM-S4.SCH	FRN S4	Doc. No. J04 C01	REV. 0
DATE :	5/18/98	Sheet	1 OF 6	
Project Code.	91.70502.001			
Prepared By	Reviewed By	Approved By		
PDR/A-mpei Hsiao 05/18/98	PDR/Joe Chien 25/18/98	PDR/Da-ven Wu 25/18/98		



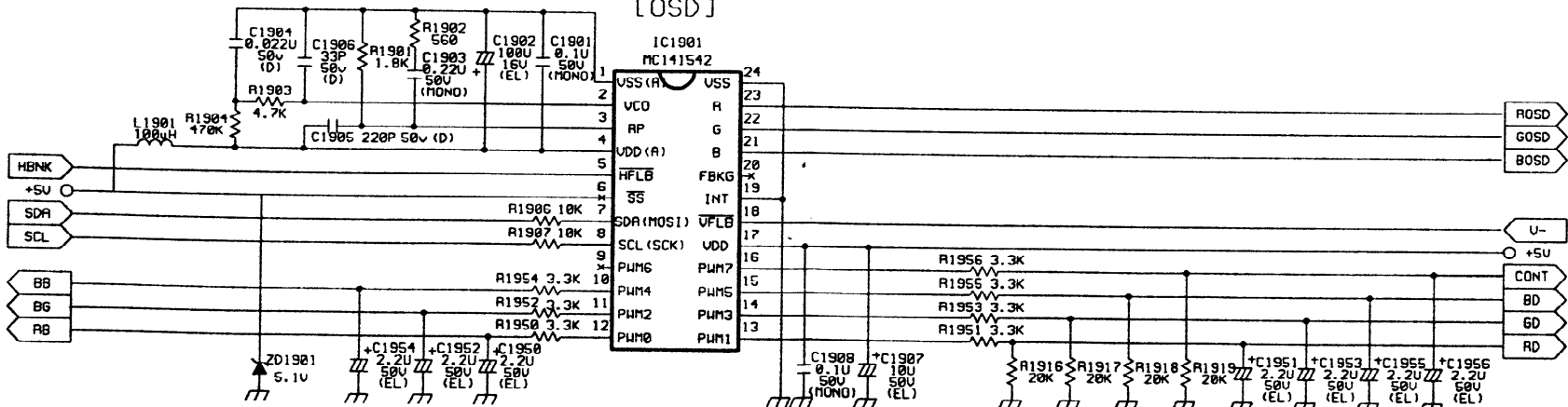
NOTES: 1. Resistor values are in ohm, K=1,000 ohm, M=1,000,000 ohm
 2. All resistors are 1/8 watt, 5% except where otherwise indicated
 3. $\text{---} \nabla \text{---}$ Represents PCB common ground.

ACER 明基電腦股份有限公司 Acier Peripherals, Inc.			
ACERVIEW	7277E	(MICRO.CKT)	SCHEMATIC
SIZE A3	277EH-S4.SCH	FAB S4	Doc.No. 304-C01
DATE :	5/18/98	Sheet	6 OF 6
Project Code. 91.72602.001			
Prepared By	Reviewed By	Approved By	
PDR/Annabel Hsiao 05/18/98	PDR/Mike Tung 05/18/98	PDR/Daven Wu 05/18/98	

[Auto Calibration]



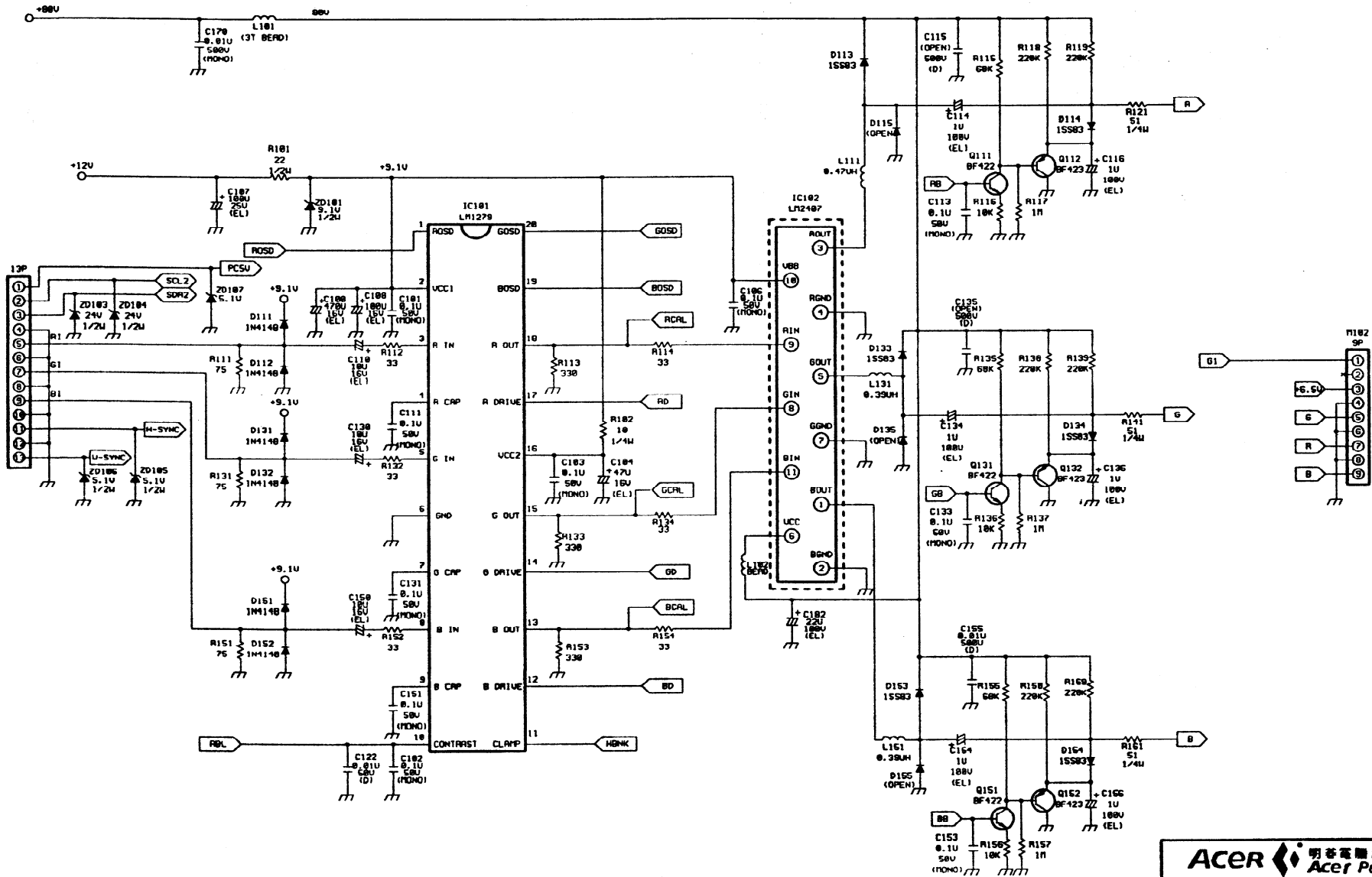
[OSD]



- NOTES:
1. Resistor values are in ohm, K=1,000 ohm, M=1,000,000 ohm
 2. All resistors are 1/8 watt, 5% except where otherwise indicated
 3. Represents PCB common ground.

ACER 明基電腦股份有限公司
Acer Peripherals, Inc.

ACERUIEH 7277E (MAIN. CKT)		SCHEMATICS		
SIZE A4	277EM-S4.SCH	FAB S4	Doc.No. 304-C01	REV. 0
DATE : 5/18/98		Sheet 5 OF 6		
Project Code. 91.72502.001				
Prepared By PDR/Annabel Hsiao 05/18/98		Reviewed By PDR/Rike Tung 05/18/98		Approved By PDR/Daven Wu 05/18/98



ACER 明碁電腦股份有限公司 Acer Peripherals, Inc.			
ACERVIEW 7277E (VIDEO) SCHEMATIC			
SIZE R3	277EM-S4.SCH	FAB S1	REV. B
DATE :	S/18/98	Doc.No. 384-C01	Sheet 3 OF 6
Project Code.		91.78682.001	
Prepared By PDR/Annabel Hsiao 05/18/98	Reviewed By PDR/Joe Chien 05/18/98	Approved By PDR/Dawn Lu 05/18/98	

