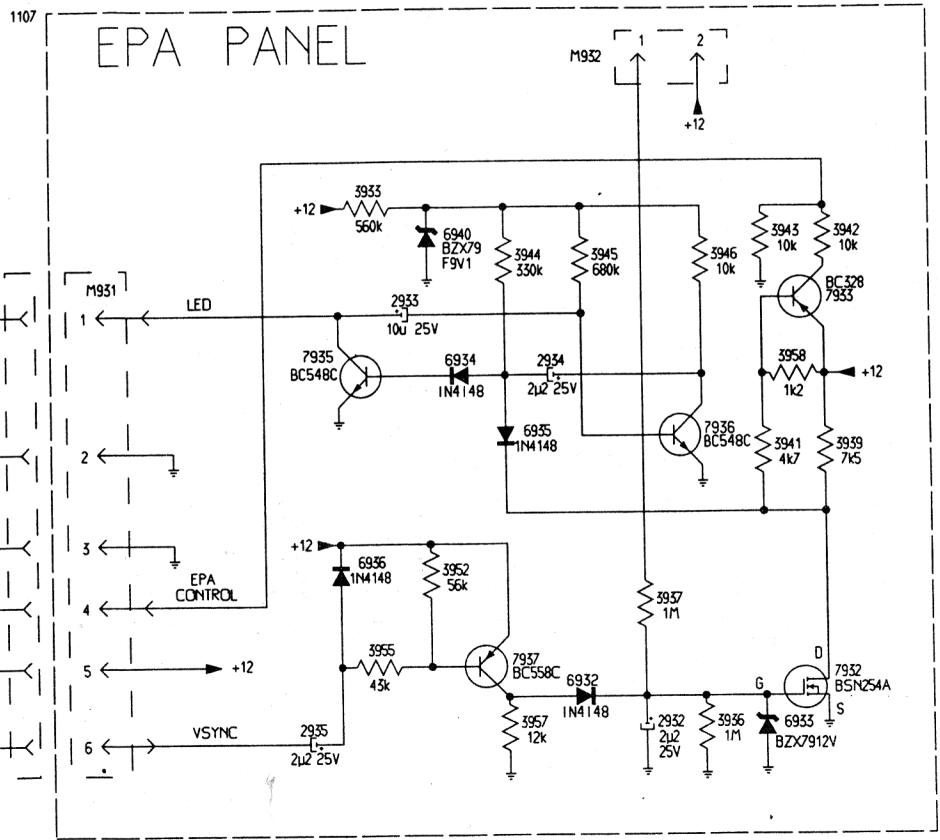
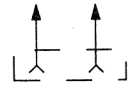


F

24 CM3800 17A

EPA panel

OVER RIDE



TO MAIN BOARD M110

TO MAIN BOARD M113

TO MAIN BOARD F406

2932
2933
2934
2935
3933
3936
3937
3939
3941
3942
3943
3944
3945
3946
3952
3955
3957
3958
6932
6933
6934
6935
6936
6937
6940
7932
7933
7935
7936
7937
M931
M931
M931
M931
M931
M931
M931
M932
M932

D

E

F

G